



DC tachogenerator TDP 0,7 (F)APY

For 1:1 replacement of tachog series (F)APY 50 / (F)APY 100

Type code

TDP 0,7

-

DC tachogenerator

No load voltage

50 = 50 V ± 6 %


100 = 100 V ± 6 %

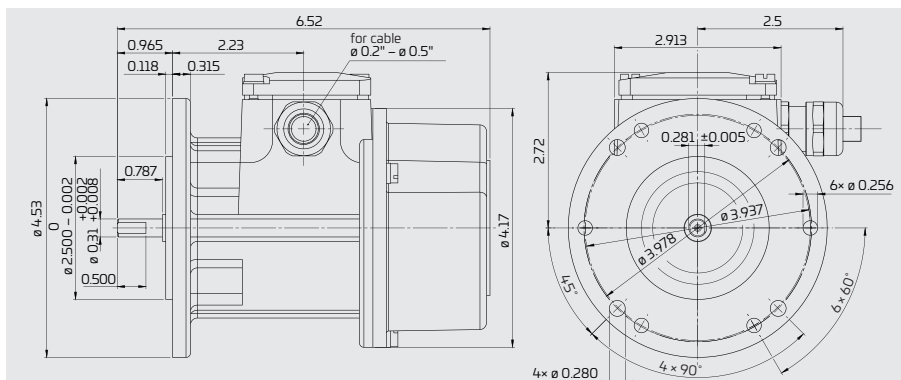
Series

APY = B5 (with flange)

FAPY = B3 (with foot)

Technical data

Speed	up to 5,000 rpm		
No load voltage (1,000 rpm)	50 VDC ± 6 %	100 VDC ± 6 %	Other value on request
Current	max. 250 mA (nominal: 80 mA)	max. 125 mA (nominal: 40 mA)	-
Degree of protection	IP55 (UL/CSA Type 1)		
Temperature range	-25 °C to +75 °C		
Certifications	UL/CSA 		



TDP 0,7-... APY (B5) (Dimension drawing TDP 0,7-... FAPY (B3) on request.)



TDP 0,7 FAPY; foot design B3



Cable diameter 0.2" - 0.5"