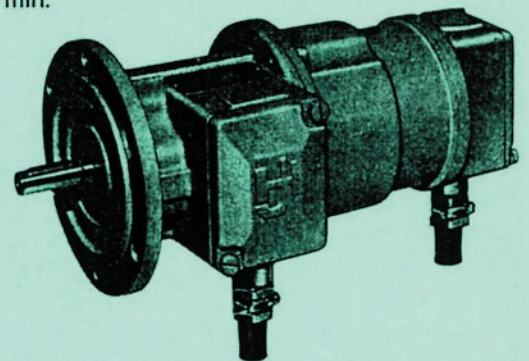
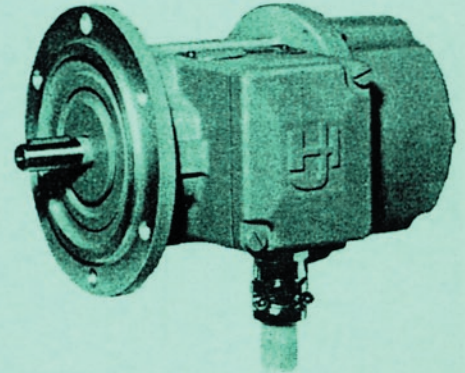


# DC-Tacho-Generator Type TDP 0,7



## Selection tables

<b>Excitation</b>	<b>permanent</b>
Rated voltage tolerance	± 1%
Direction of rotation	reversible
Polarity, terminal connections	dependent on rotation
No. of poles	2
Brushes per machine	2 pairs
	Quality AG 35
	Dimensions 3x5x12
Harmonic voltage $\Sigma U \sim \text{eff}$	≈ 3‰ from 100 up to 3000 r/min. from up to 100 r/min. approx. 1%
Linearity error	≤ ± 1‰ at a power available approx. 0,1 W
Temperature coefficient	± 0,5‰ per 10K compensated magnet system ± 3‰ per 10K uncompensated magnet system at a power available approx. 0,1 W/ 1000 r/min. temperature range up to + 100 °C
Reversing error	± 2‰
Insulation	Class B
Winding test	1000 V by manufacturer
Repeat test	max. 800V
Moment of inertia approx.	0,440 kgcm <sup>2</sup>
Weight approx.	2,5 kg



TDP 0,7 with fitted centrifugal switch type FSE 102

## Attachments

All tachos can be fitted at NDE with **pulse generator, centrifugal switch, angle encoders, speed monitors, etc.**

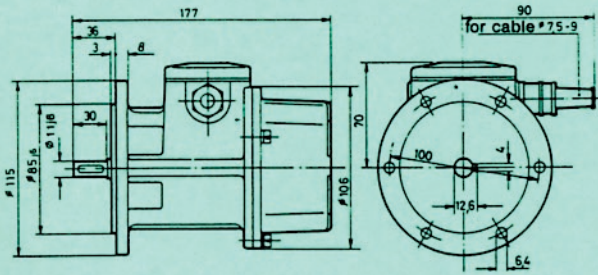
## Preferred voltages

Type	Rated voltage at 1000 r/min. [V]	Max. speed [r/min]	Max. permissible current at 1000 r/min. [mA]	Optimum load resistance [kΩ]	Armature resistance at 20 °C approx. [Ω]	No-load voltage at 1000 r/min. [V]
TDP 0,7/...-1	10	9000	90	1,1	5,4	10,5
TDP 0,7/...-2	20	9000	45	4,4	21	21
TDP 0,7/...-3	30	9000	30	10	44	31,3
TDP 0,7/...-4	40	9000	22	18	93	42
TDP 0,7/...-5	50	9000	18	28	128	52
TDP 0,7/...-6	60	9000	15	40	180	63



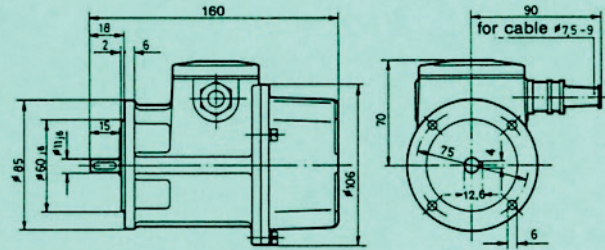
# Dimension Drawing

**TDP 0,7/8**



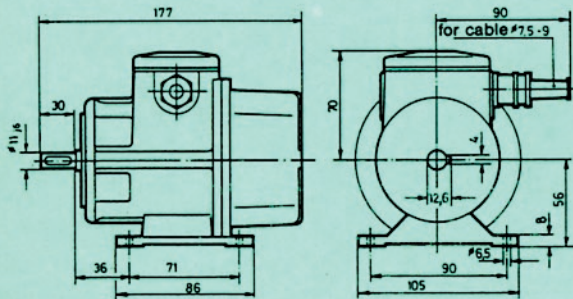
**B 5 construction - HM 79 M 50953**

**TDP 0,7/6**



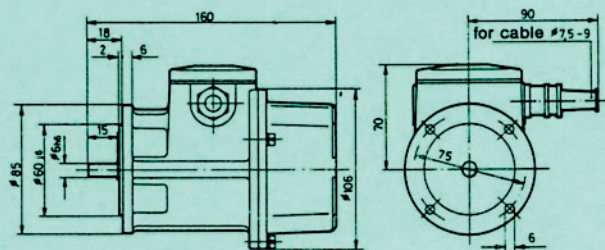
**B 5 construction - HM 79 M 50939**

**TDP 0,7**



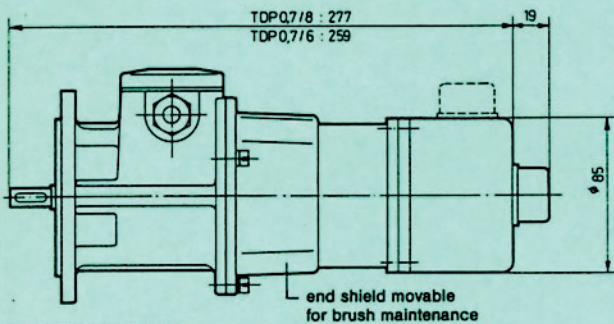
**B 3 construction - HM 79 M 51240**

**TDP 0,7/6**



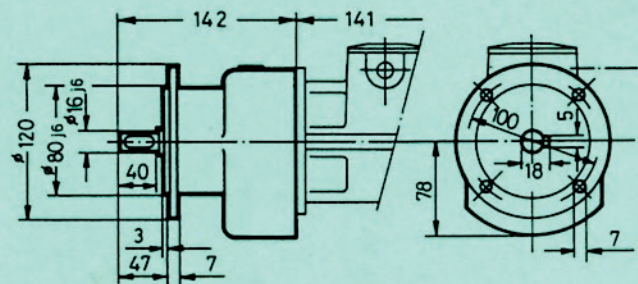
**B 5 construction - HM 79 M 50938**

**TDP 0,7 with fitted pulse generator type Litton 70**



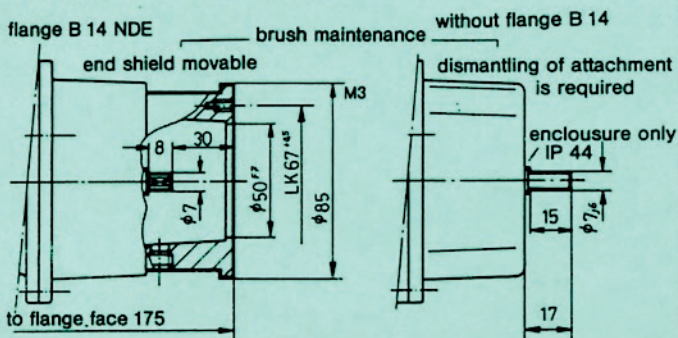
**HM 81 M 51635**

**TDP 0,7/8 with speed increasing gear Type ...16**



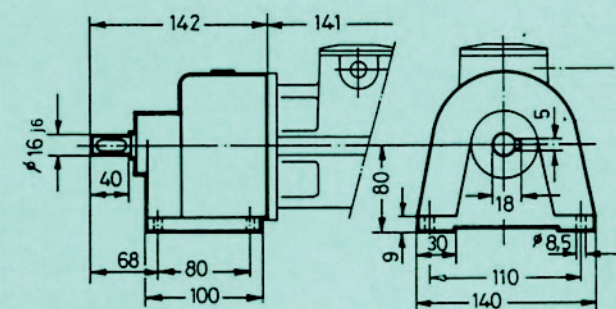
**B 5 construction - HM 81 M 51872**

**TDP 0,7 with 2 shaft extensions**



**HM 82 M 51985**

**HM 83 M 52109**



**B 3 construction - HM 81 M 51873**  
modifications reserved!