



Operating and Assembly Instructions

Electronic function module UO-EM-AMC

Evaluation to U-ONE® - Absolute encoder

**Read the operating and assembly instructions prior to assembly,
starting installation and handling!
Keep for future reference!**

Trademark

U-ONE is a registered trademark of Johannes Hübner Fabrik elektrischer Maschinen GmbH.

Windows® is a registered trademark of Microsoft Corporation in the United States and other countries.

Viton® is a registered trademark by Du Pont.

Loctite® is a registered trademark from Henkel AG & Co. KGaA, Düsseldorf.

All other brand names and product names are trademarks or registered trademarks of their respective owner.

Protected trademarks bearing a [™] or [®] symbol are not always depicted as such in the manual.

However, the statutory rights of the respective owners remain unaffected.

Manufacturer / publisher

Johannes Hübner

Fabrik elektrischer Maschinen GmbH

Siemensstraße 7

35394 Giessen

Germany

Phone: +49 641 / 7969-0

Fax: +49 641 / 73645

E-Mail: info@huebner-giessen.com

www.huebner-giessen.com

The manual has been drawn up with the utmost care and attention. Nevertheless, we cannot exclude the possibility of errors in form and content. It is strictly forbidden to reproduce this publication or parts of this publication in any form or by any means without the prior written permission of Johannes Hübner Fabrik elektrischer Maschinen GmbH.

Subject to errors and changes due to technical improvements.

Copyright © Johannes Hübner Fabrik elektrischer Maschinen GmbH.

All rights reserved.

Directory

1	General	4
1.1	Information about the operating and assembly instructions	4
1.2	Scope of supply	4
1.3	Explanation of symbols	4
1.4	Disclaimer	5
1.5	Copyright	5
1.6	Guarantee terms	5
1.7	Customer service	5
2	Safety	5
2.1	Responsibility of the owner	5
2.2	Personnel	6
3	Technical Data	7
3.1	Type plate / Connection diagram	7
3.2	Connections and indicators	7
3.3	Connected loads environment	8
3.4	Dimension drawing	8
3.5	Mounting the module	9
4	Proper use	9
4.1	Improper use	9
5	Transport, packaging and storage	10
5.1	Safety information concerning transport	10
5.2	Goods inward inspection	10
5.3	Packaging (disposal)	10
5.4	Storing packages (devices)	10
5.5	Returning devices (repairs/goodwill/warranty)	10
5.6	Disposal	10

1 General

1.1 Information about the operating and assembly instructions

These operating and assembly instructions provide important instructions for working with the device. They must be carefully read prior to starting all tasks, and the instructions contained herein must be followed.

In addition, applicable local regulations for the prevention of industrial accidents and general safety regulations must be complied with.

For other, non SIL certified electronic function modules please refer to the separate Operating and Installation Instructions.

1.2 Scope of supply

Electronic function module UO-EM-AMC, the operating and assembly instructions, the programming manual for the U-ONE® universal encoder system and a software & support data carrier.

1.3 Explanation of symbols

Warnings are indicated by symbols in these operating and assembly instructions. The warnings are introduced by signal words that express the scope of the hazard.

The warnings must be strictly heeded; you must act prudently to prevent accidents, personal injury, and property damage.



WARNING!

Indicates a possibly dangerous situation that can result in death or serious injury if it is not avoided.



CAUTION!

Indicates a possibly dangerous situation that can result in minor injury if it is not avoided.



CAUTION!

Indicates a possibly dangerous situation that can result in material damage if it is not avoided.



NOTES!

Indicates useful tips and recommendations as well as information for efficient and trouble-free operation.



NOTES!

Do not use a hammer or similar tool when installing the device due to the risk of damage occurring to the bearings or coupling!



DANGER!

Life-threatening danger due to electric shock!

Indicates a life-threatening situation due to electric shock. If the safety instructions are not complied with there is danger of serious injury or death. The work that must be executed should only be performed by a qualified electrician.

1.4 Disclaimer

All information and instructions in these operating and assembly instructions have been provided under due consideration of applicable guidelines, as well as our many years of experience.

The manufacturer assumes no liability for damages due to:

- Failure to follow the instructions in the operating and assembly instructions
- Non-intended use
- Deployment of untrained personnel
- Opening of the device or conversions of the device

In all other aspects the obligations agreed in the delivery contract as well as the delivery conditions of the manufacturer apply.

1.5 Copyright



NOTES!

Content information, text, drawings, graphics, and other representations are protected by copyright and are subject to commercial property rights.

It is strictly forbidden to make copies of any kind or by any means for any purpose other than in conjunction with using the device without the prior written agreement of the manufacturer. Any copyright infringements will be prosecuted.

1.6 Guarantee terms

The guarantee terms are provided in the manufacturer's terms and conditions.

1.7 Customer service

For technical information personnel is available that can be reached per telephone, fax or email. See manufacturer's address on page 2.

2 Safety



DANGER!

This section provides an overview of all the important safety aspects that ensure protection of personnel, as well as safe and trouble-free device operation.

If these safety instructions are not complied with significant hazard can occur.

2.1 Responsibility of the owner

The device is used in commercial applications. Consequently the owner of the device is subject to the legal occupational safety obligations, and subject to the safety, accident prevention, and environmental protection regulations that are applicable for the devices area of implementation.

2.2 Personnel

Qualified personnel only are permitted to install, mount, program, commission, operate, maintain and take out of service the devices.

Qualified personnel are people who have received

- training to qualify as an electrician or
- instructions from qualified trades personnel

entitling them to work with and on devices, systems, machinery and plant in accordance with generally accepted standards and safety engineering guidelines.

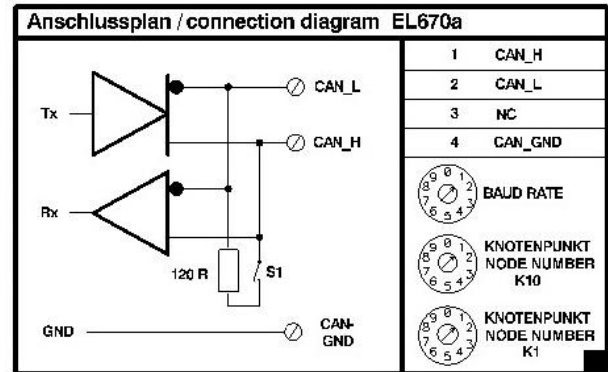
In addition, the owner is obliged to deploy only personnel who

- are familiar with the fundamental regulations covering work safety and accident prevention,
- have read and understood the chapter "Safety" in these Operating and Installation Instructions,
- and are familiar with the basic and specialist standards that apply to the specific application.

3 Technical Data

Electronic function module for U-ONE absolute encoder Multiturn, with CAN-Bus interface
Type: UO-EM-AMC

3.1 Type plate / Connection diagram



3.2 Connections and indicators



The Ready LED indicates the current operating state of the module..
The table shows the possible states and the associated displays.

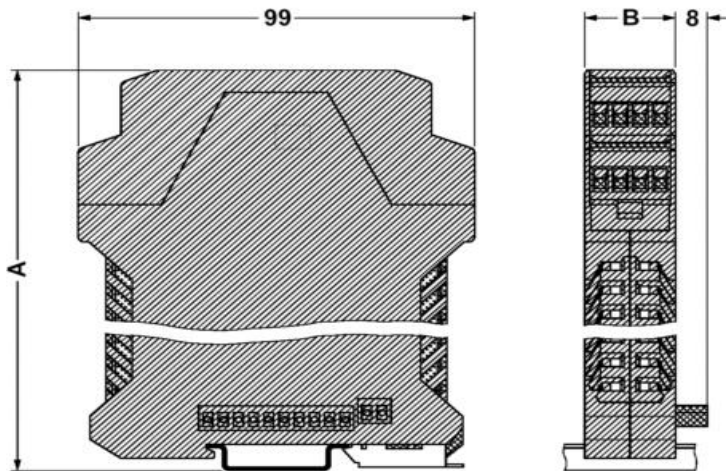
Operational status	Ready LED
Supply voltage D2 is off	off
Error status, e.g. supply voltage of the base is off, fibre optic connection disconnected, internal error	red
Module is ready for operation	green

3.3 Connected loads environment

Description	Value
Supply voltage	12 ... 30 V DC
Power consumption	max. 1 W plus power consumption of next electronic function modules
Connection	COMBICON®-terminal strip
Connecting diagram	EL670a
Device temperature range	-25 ... + 70 °C
Degree of protection	IP20
CAN-Bus-interface	
Data interface	CAN-H, CAN-L, CAN-GND
Baud rates	(20-50-100-125-250-500-800-1000) kBaud
adjustable device address:	0 - 96
CAN-operation mode	Polled Mode, Cyclic Mode, Sync Mode
Programmable parameter	counting direction, preset value, lower contact, upper contact

3.4 Dimension drawing

A = 115 mm B = 22,50 mm



3.5 Mounting the module

Snap the modules onto the top-hat rail and slide together.



CAUTION!

Ensure you do not damage the connectors when you snap the modules onto the rail and push them together!

Ensure the modules contact reliably when joining them together on the top-hat mounting rail.
Fit the supplied shrouding covers to both ends of the mounted terminals.

Follow the connection diagram!

4 Proper use

The electronic function module UO-EM-AMC has been designed and built solely for the intended purpose described in these operating and assembly instructions.

We do not accept liability of any kind for damages arising from improper use of the device. The owner bears sole responsibility for any improper use.

4.1 Improper use

- Do not use the device in potentially explosive areas.
- It is not permitted to use the device in locations higher than 3000 m above sea level.

5 Transport, packaging and storage

5.1 Safety information concerning transport



CAUTION!

Material damage caused by improper transport!

Observe the symbols and information on the packaging:

- Do not throw - risk of breakage
- Keep dry
- Do not expose to heat above 40 °C or direct sunlight.

5.2 Goods inward inspection

Check the delivery immediately upon receipt for transit damage or short delivery.

Inform the carrier immediately on receipt if you determine that damage has occurred during transit (take photos as proof).

5.3 Packaging (disposal)

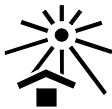
The packaging is not taken back; dispose of according to the respective valid statutory provisions and local regulations.

5.4 Storing packages (devices)



Keep dry

Keep packages dry and free from dust; protect from moisture.



Protect against heat

Protect packages from heat above 40 °C and direct sunlight.

If you intend to store the device for a longer period of time (> 6 months) we recommend you use protective packaging (with desiccant).

5.5 Returning devices (repairs/goodwill/warranty)

Devices that have come into contact with radioactive radiation or radioactive materials are not taken back.

Decontaminate devices that have may come into contact with harmful chemical or biological substances before returning.

They must also be accompanied by a safety clearance certificate.

5.6 Disposal

The manufacturer is not obliged to take back the device.

The device is classed as electronic equipment and subject to the WEEE Directive; observe local, country-specific laws when disposing of the device.

For information on environmentally sound disposal please contact your local authority or a specialist disposal company.