
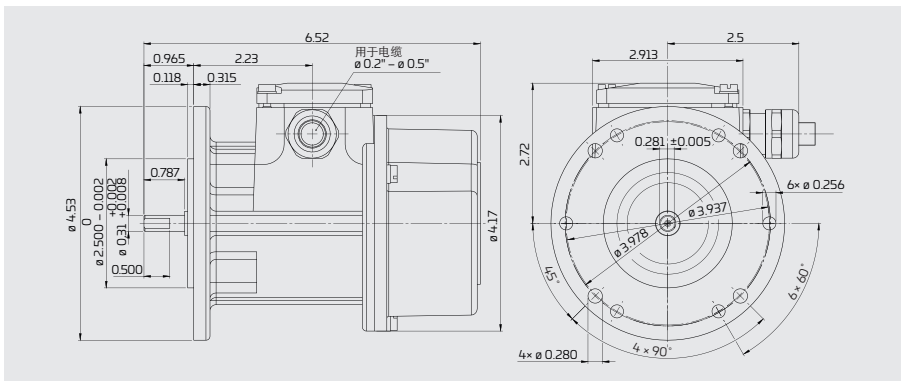




直流测速发电机 TDP 0,7 (F)APY 1:1替换测速系列 (F)APY 50 / (F)APY 100

型号码	TDP 0,7	-		
直流测速发电机				
空载电压	50 = 50 V ± 6 %			
	100 = 100 V ± 6 %			
系列	APY = B5 (带有法兰)			
	FAPY = B3 (带有底座)			

技术数据			
速度	转速高达 5.000 rpm		
空载电压 (1.000 rpm)	50 VDC ± 6 %	100 VDC ± 6 %	其它值视需要而定
电流	最大 250 mA (额定: 80 mA)	最大 125 mA (额定: 40 mA)	-
保护等级	IP55 (UL / CSA Type 1)		
温度范围	-25 °C 到 +75 °C		
认证	UL / CSA 		



TDP 0,7 FAPY; 底座形式 B3



电缆直径 0.2" - 0.5"


TDP 0,7... APY (B5) (尺寸图 TDP 0,7... FAPY (B3) 按要求)

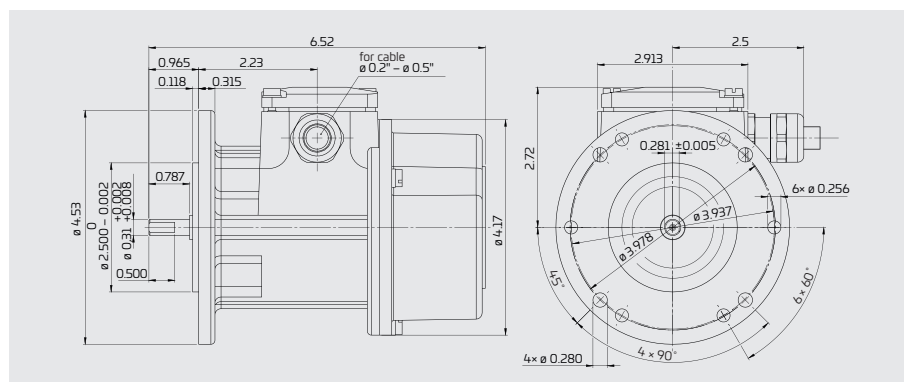


DC tachogenerator TDP 0,7 (F)APY

For 1:1 replacement of tachogenerator series (F)APY 50 / (F)APY 100

Type code	TDP 0,7	-		
DC tachogenerator				
No load voltage	50 = 50 V ± 6 % 100 = 100 V ± 6 %			
Series	APY = B5 (with flange) FAPY = B3 (with foot)			

Technical data			
Speed	up to 5,000 rpm		
No load voltage (1,000 rpm)	50 VDC ± 6 %	100 VDC ± 6 %	Other value on request
Current	max. 250 mA (nominal: 80 mA)	max. 125 mA (nominal: 40 mA)	-
Degree of protection	IP55 (UL / CSA Type 1)		
Temperature range	-25 °C to +75 °C		
Certifications	UL / CSA 		



TDP 0,7-... APY (B5) (Dimension drawing TDP 0,7-... FAPY (B3) on request)



TDP 0,7 FAPY; foot design B3



Cable diameter 0.2" – 0.5"