



Mounting gauge for HKD(SI) couplings

Safe tension-free installation of encoders with foot mounting

Product description

- Safe, tension-free mounting of encoders without measuring instruments
- Easy to use and reusable
- Consisting of 2 torsion-resistant half shells
- Suitable for HKD(SI) couplings of Johannes Hübner Giessen
- Available in 2 versions
- Simple shaft alignment of encoders with foot mounting

Product overview

- ID 25877: for HKD(SI) 522 / 532 / 533
- ID 25879: for HKD(SI) 568

Additional accessories

ID	Accessories	Set
14051	Spacer plates to compensate height misalignment / offset	10 pcs. for encoder with foot dimension 90 mm
12513	Spacer plates to compensate height misalignment / offset	10 pcs. for encoder with foot dimension 60 mm
22364	Friction-enhancing washers, for attachments with high vibration and shock loads	4 pieces

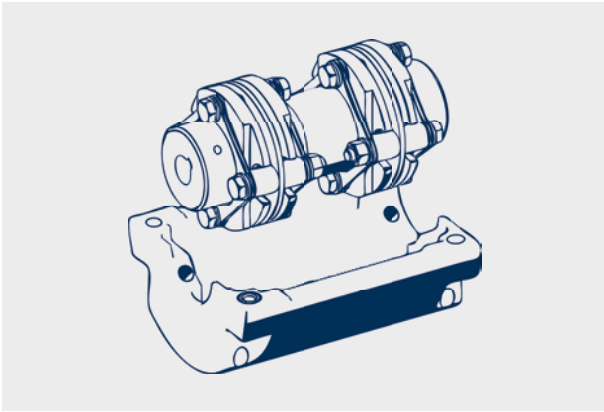


Half shells

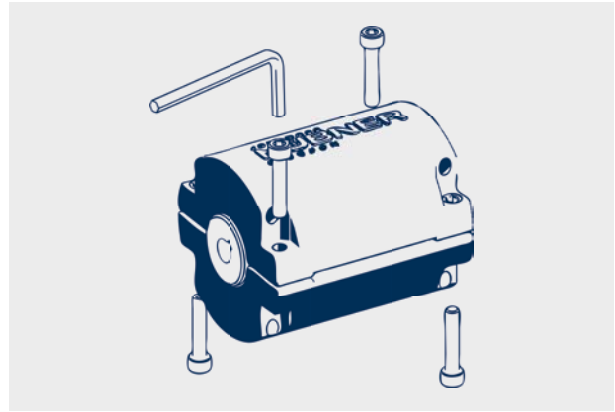


Coupling in mounting gauge

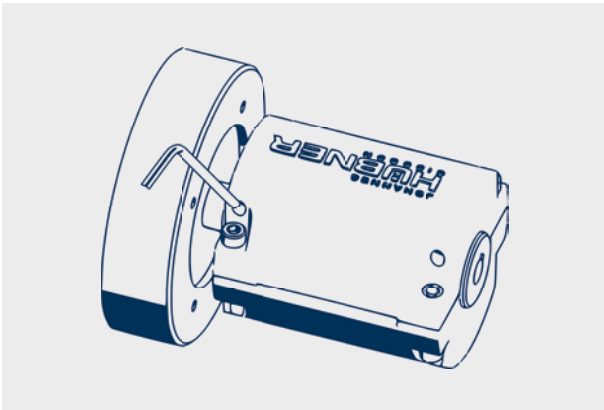
Application



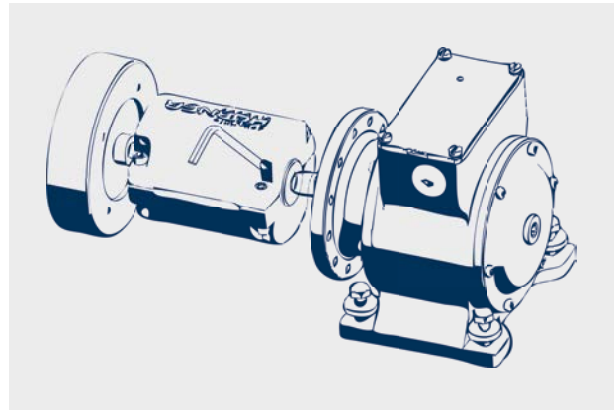
- 1** Insert the coupling into the lower half shell.



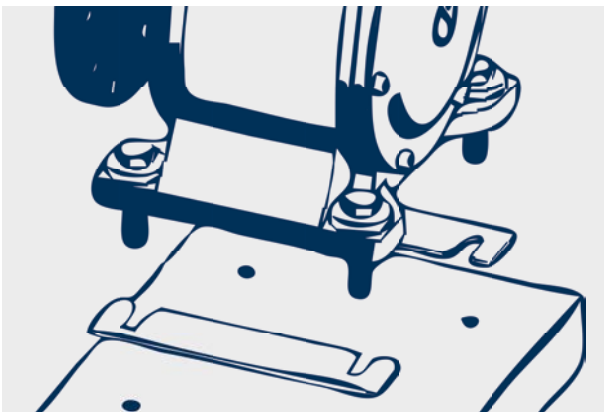
- 2** Put the upper half shell on the coupling. Tighten the screws evenly, leaving a small gap between the two half shells.



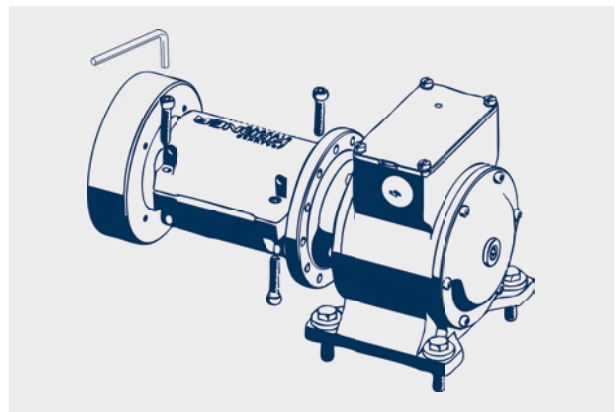
- 3** Push the coupling onto the shaft and tighten the set screw of the coupling.



- 4** Push the rotary encoder onto the coupling and tighten the set screw of the coupling.
Note: If the rotary encoder cannot be pushed on, compensate for height or lateral misalignment.



- 5** Attach the rotary encoder to the foot base.
Note: If necessary, compensate misalignment with spacer plates.



- 6** Remove mounting gauge.