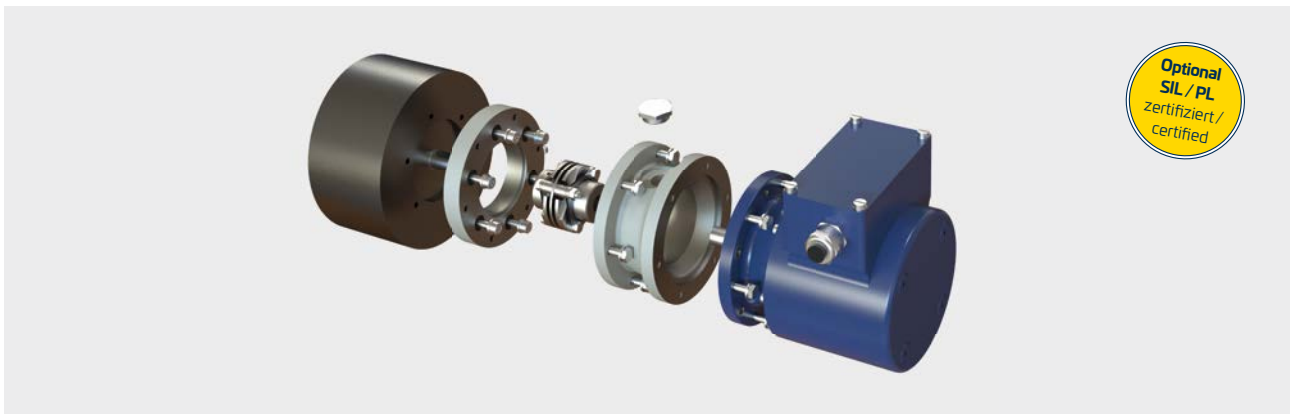


## Inquiry form for couplings / Engineering support

If you wish to request a quote for spare parts, please only fill out the following two tables.

Sender			
Company:		Contact partner:	
		Phone:	
Address:		Fax:	
		E-mail:	

Spare parts			
Serial number:		Order number (optional):	
End customer / Country of end customer:			



Example

### New device

**1 Application:**

- Modernization       New system

Description of application: .....

**2 Version:**

- Standard       Safety components       Ex protection       Other: .....

**3** Number of items:

.....

**4** Date when required / Delivery date:

.....

**5** Speed (speed ranges / maximum speed):

.....

**6** Isolation against current flow e.g. attachment to motor:

required  not required

**7** Mounting:

→ Please provide photos of construction site

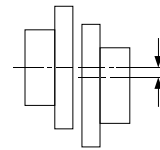
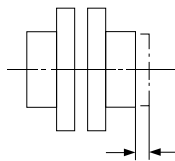
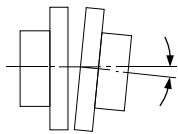
Encoder, flange  Encoder, foot  Tacho generator

**8** Misalignment:

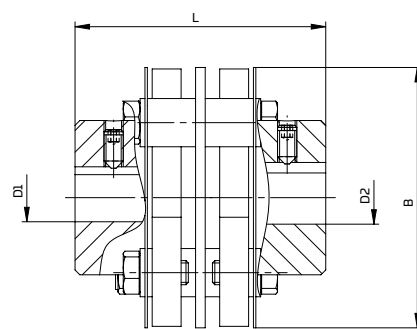
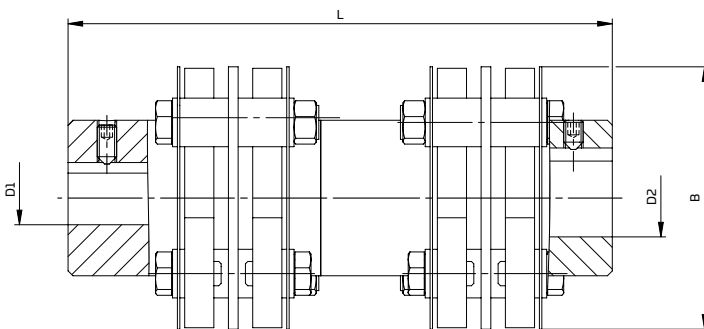
Angular misalignment in °: .....

Axial misalignment in mm: .....

Radial misalignment in mm: .....



**9** Dimensions:



Maximal length L: .....

Maximal width B: .....

Bore diameter D1 (drive end): .....

Bore hole design D1 (tapered, cylindrical): .....

Mounting on drive side (feather key / clamping hub): .....

Bore diameter D2 (encoder): .....

Bore hole design D2 (tapered, cylindrical): .....

Mounting of encoder (feather key / clamping hub): .....

