

Inquiry form for torque brackets / Engineering support

If you wish to request a quote for spare parts, please only fill out the following two tables. It is not possible to provide a quote without a serial number.

Sender			
Company:		Contact partner:	
		Phone:	
Address:		Fax:	
		E-Mail:	

Spare parts			
Serial number for SIL version:		Order number (optional):	
End customer / Country of end customer:		Series (e.g. FGJ 2, FG(J)40)	



Example

New device

1 Application:

- Modernization New system

Description of application:

2 Version:

- Standard Safety certified Other:

3 Number of items:

.....

4 Date when required/Delivery date:

.....

5 Speed (speed ranges/maximum speed):

.....

6 Isolation against shaft currents:

- required not required
- Additionally with ground connection

7 Torque bracket attachment

→ Please provide photos of construction site

Dimensions torque brackets

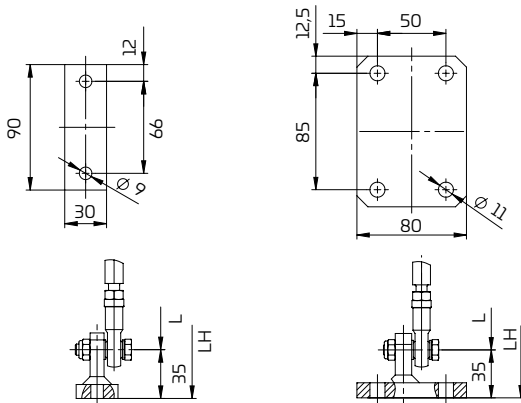
Torque bracket length B: mm

Link rod length L: mm

or LH (incl. foot): mm

With foot connection

- foot connection P1 foot connection P2



- Axial attachment with Bolt thread

Please state the following dimensions:

Customer attachment surface to the front face of the customer shaft: LW1: mm

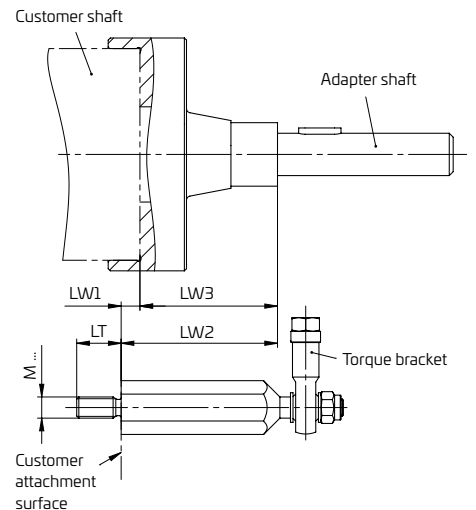
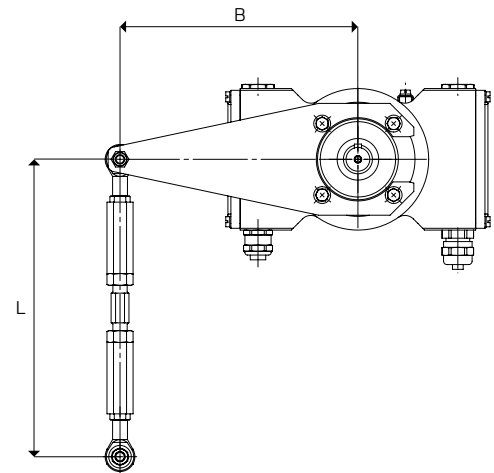
and/or

Customer attachment surface to the adapter shaft collar: LW2: mm

Bolt thread: M mm

Required thread depth: LT: mm

and/or Distance customer shaft to begin of adapter shaft: LW3: mm



8 External influence (ambient):

Version in corrosion-resistant steel

Temperature range: -25°C to +85°C Other:

Other influencing factors:
.....

9 Known mechanical influences: radial eccentricity of shaft, radial eccentricity caused by fitting tolerance, axial motion

.....

→ Please provide photos of construction site

10 Miscellaneous:

.....
.....
.....
.....
.....
.....
.....
.....
.....
.....
.....
.....
.....
.....
.....
.....
.....
.....
.....
.....