

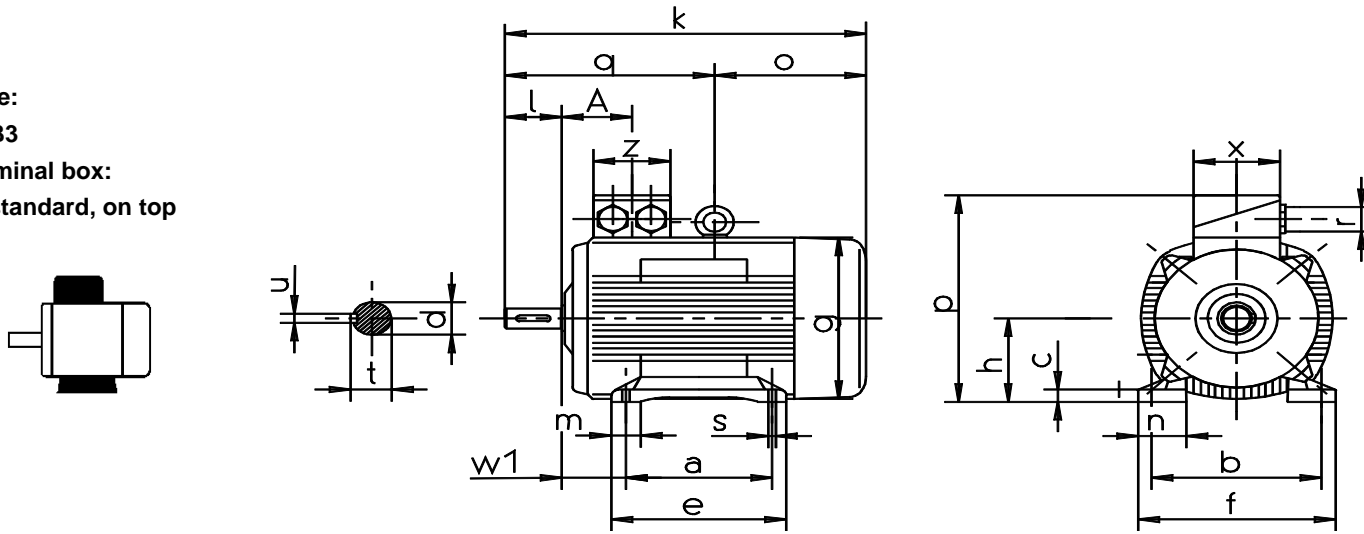
B3 dimensions

(HM 17 M111070)

Synchronous 3-phase generators with permanent excitation
Cast-iron housing



Style:
IM B3
Terminal box:
as standard, on top



DSG P series

Machine type	Dim.	71.07-8	80.10-8	112.14-10	112.17-10	112.16-10	132.15-10	132.20-10	160.20-10	180.25-10	200.25-10
Overall length	k	242	297	357	391	479	481	529	609	680	757
Overall height, with terminal box	p	140	200	249	249	290	331	331	402	441	500
Shaft length	l	30	50	60	60	80	80	80	110	110	140
Shaft diameter	d	14	22	28	28	32	38	38	48	55	60
Max. shaft thickness with fitting key	t	16.1	24,5	31	31	35	41	41	51.5	59	64
Wide fitting key	u	5	6	8	8	10	10	10	14	16	18
Foot length	e	108	147	180	180	172	180	218	257	288	322
Mounting hole spacing	a	90	100	140	140	140	140	178	210	241	267
Mounting hole diameter	s	7	10	12	12	12	12	12	15	15	19
Spacing: shaft shoulder to mounting hole	w1	45	50	70	70	70	89	89	108	121	133
Foot width	f	140	152	224	224	226	256	256	296	328	372
Mounting hole spacing	b	112	125	190	190	190	216	216	254	279	318
Fan cover diameter	g	138	80	196	196	217	258	258	313	351	390
Centre height	h	71	157	112	112	112	132	132	160	180	200
Max. axial force	F_a	0.145 kN	0.44 kN	0.52 kN	0.52 kN	1.4 kN	1.1 kN	1.1 kN	2.5 kN	3.0 kN	4.3 kN
Max. radial force (½ shaft extension)	F_r	0.29 kN	0.77 kN	0.98 kN	0.98 kN	1.7 kN	2.6 kN	2.6 kN	3.8 kN	5.1 kN	5.6 kN
Mass moment of inertia [kgm ²]	J	0.00073	0.00375	0.01225	0.0139	0.023	0.043	0.053	0.145	0.268	0.440
Weight	m	6.5 kg	18 kg	37 kg	39 kg	53 kg	70 kg	86 kg	136 kg	200 kg	265 kg

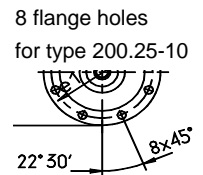
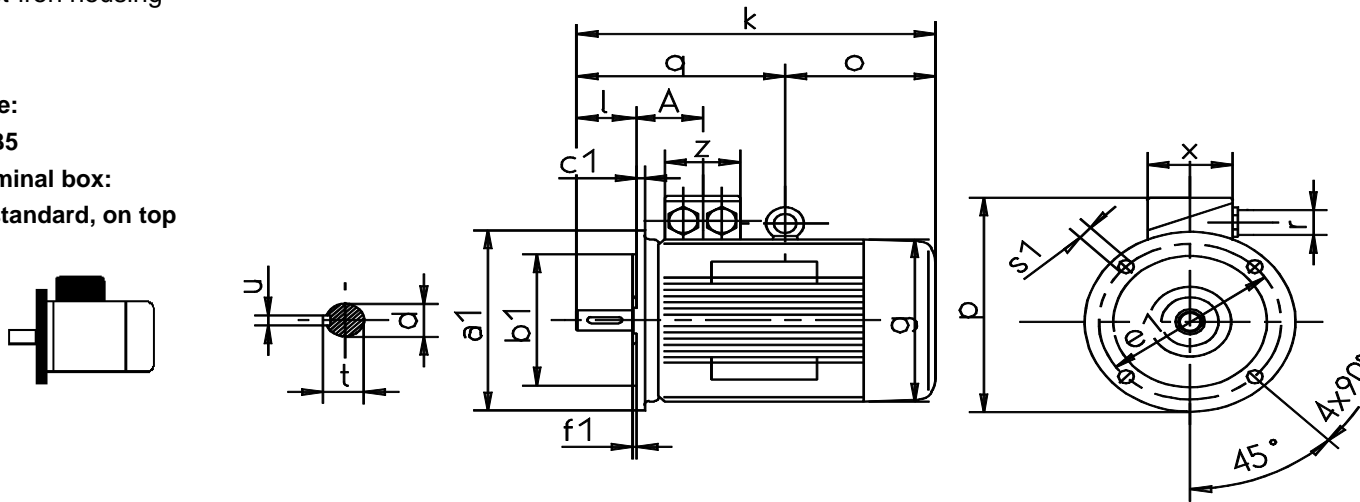
B5 dimensions

(HM 17 M111071)

Synchronous 3-phase generators with permanent excitation
Cast-iron housing



Style:
IM B5
Terminal box:
as standard, on top



DSG P series

Machine type	Dim.	71.07-8	80.10-8	112.14-10	112.17-10	112.16-10	132.15-10	132.20-10	160.20-10	180.25-10	200.25-10
Overall length	k	242	297	357	391	479	481	529	609	680	757
Overall height, with terminal box	p	201,5	220	262	262	328	374	374	417	441	525
Shaft length	l	30	50	60	60	80	80	80	110	110	140
Shaft diameter	d	14	22	28	28	32	38	38	48	55	60
Max. shaft thickness with fitting key	t	16.1	24,5	31	31	35	41	41	51.5	59	64
Wide fitting key	u	5	6	8	8	10	10	10	14	16	18
Fan cover diameter	g	138	157	196	196	217	258	258	313	351	390
Flange diameter	a1	160	200	250	250	300	350	350	350	450	450
Pitch circle diameter	e1	130	165	215	215	265	300	300	300	400	400
Seating face diameter	b1	110	130	180	180	230	250	250	250	350	350
Spacing: seating face to end shield	f1	3.5	3,5	4	4	4	5	5	5	5	5
Wide end shield	c1	10,3	10	11	11	12	13	13	13	16	16
Flange hole diameter	s1	9	11	14	14	14	18	18	18	18	18
Max. axial force	F_a	0.145 kN	0.44 kN	0.52 kN	0.52 kN	1.4 kN	1.1 kN	1.1 kN	2.5 kN	3.0 kN	4.3 kN
Max. radial force (½ shaft extension)	F_r	0.29 kN	0.77 kN	0.98 kN	0.98 kN	1.7 kN	2.6 kN	2.6 kN	3.8 kN	5.1 kN	5.6 kN
Mass moment of inertia [kgm ²]	J	0.00073	0.00375	0.01225	0.0139	0.023	0.043	0.053	0.145	0.268	0.440
Weight	m	6.5 kg	18 kg	37 kg	39 kg	53 kg	70 kg	86 kg	136 kg	200 kg	265 kg

B35 dimensions (HM 17 M111072)

Synchronous 3-phase generators with permanent excitation
Cast-iron housing

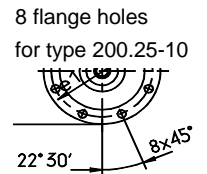
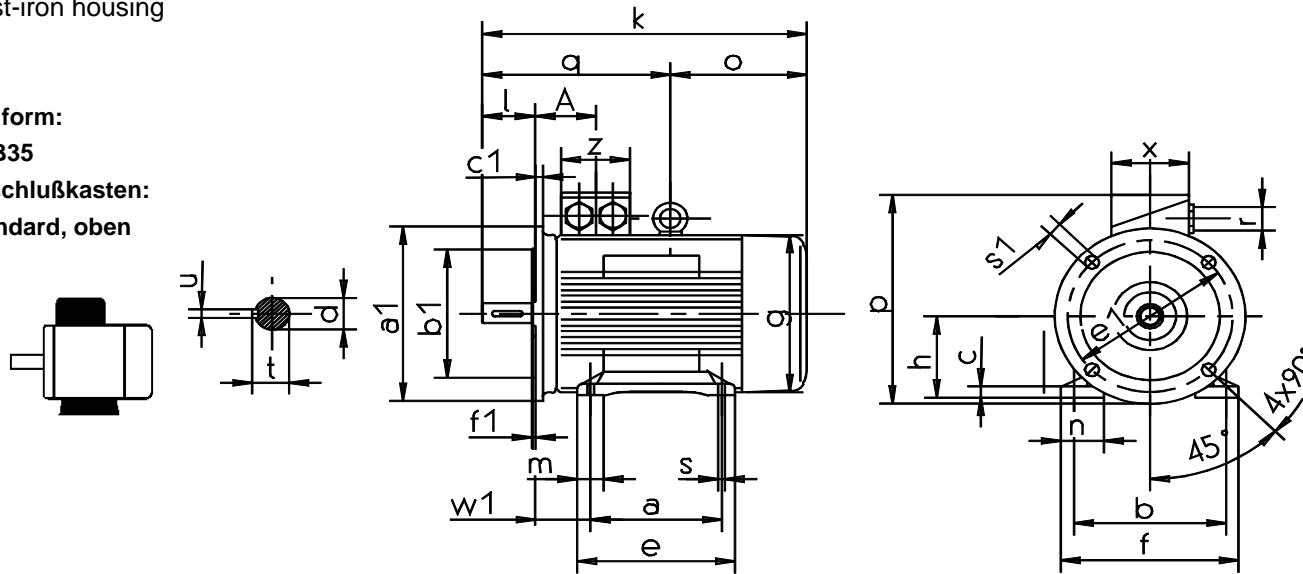


Bauform:

IM B35

Anschlußkasten:

Standard, oben



DSG P series

Machine type

Dim. **71.07-8** **80.10-8** **112.14-10** **112.17-10** **112.16-10** **132.15-10** **132.20-10** **160.20-10** **180.25-10** **200.25-10**

Machine type	Dim.	71.07-8	80.10-8	112.14-10	112.17-10	112.16-10	132.15-10	132.20-10	160.20-10	180.25-10	200.25-10
Overall length	k	242	297	357	391	479	481	529	609	680	757
Overall height, with terminal box	p	140	200	249	249	290	331	331	402	441	500
Shaft length	l	30	50	60	60	80	80	80	110	110	140
Shaft diameter	d	14	22	28	28	32	38	38	48	55	60
Max. shaft thickness with fitting key	t	16,1	24,5	31	31	35	41	41	51,5	59	64
Wide fitting key	u	5	6	8	8	10	10	10	14	16	18
Foot length	e	108	147	180	180	172	180	218	257	288	322
Mounting hole spacing	a	90	100	140	140	140	140	178	210	241	267
Mounting hole diameter	s	7	10	12	12	12	12	12	15	15	19
Spacing: shaft shoulder to mounting hole	w1	45	50	70	70	70	89	89	108	121	133
Foot width	f	140	152	224	224	226	256	256	296	328	372
Mounting hole spacing	b	112	125	190	190	190	216	216	254	279	318
Fan cover diameter	g	138	157	196	196	217	258	258	313	351	390
Centre height	h	71	80	112	112	112	132	132	160	180	200
Flange diameter	a1	160	200	250	250	300	350	350	350	450	450
Pitch circle diameter	e1	130	165	215	215	265	300	300	300	400	400
Seating face diameter	b1	110	130	180	180	230	250	250	250	350	350
Spacing: seating face to end shield	f1	3,5	3,5	4	4	4	5	5	5	5	5
Wide end shield	c1	10,3	10	11	11	12	13	13	13	16	16
Flange hole diameter	s1	9	11	14	14	14	18	18	18	18	18

Max. axial force	F_a	0.145 kN	0.44 kN	0.52 kN	0.52 kN	1.4 kN	1.1 kN	1.1 kN	2.5 kN	3.0 kN	4.3 kN
Max. radial force (½ shaft extension)	F_r	0.29 kN	0.77 kN	0.98 kN	0.98 kN	1.7 kN	2.6 kN	2.6 kN	3.8 kN	5.1 kN	5.6 kN
Mass moment of inertia [kgm ²]	J	0.00073	0.00375	0.01225	0.0139	0.023	0.043	0.053	0.145	0.268	0.440
Weight	m	6.5 kg	18 kg	37 kg	39 kg	53 kg	70 kg	86 kg	136 kg	200 kg	265 kg